
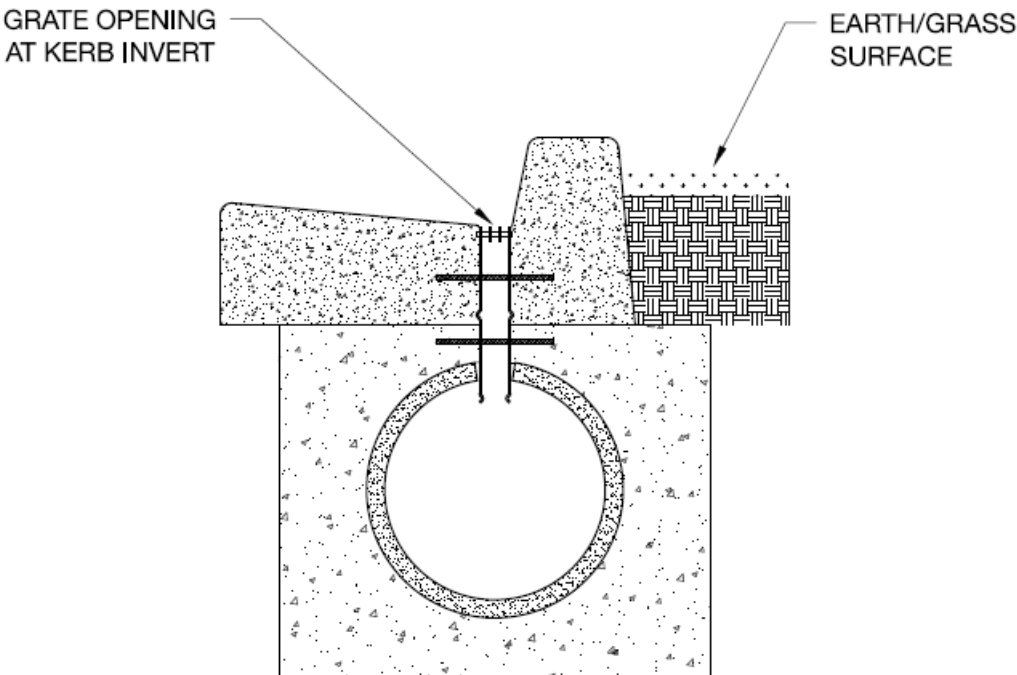
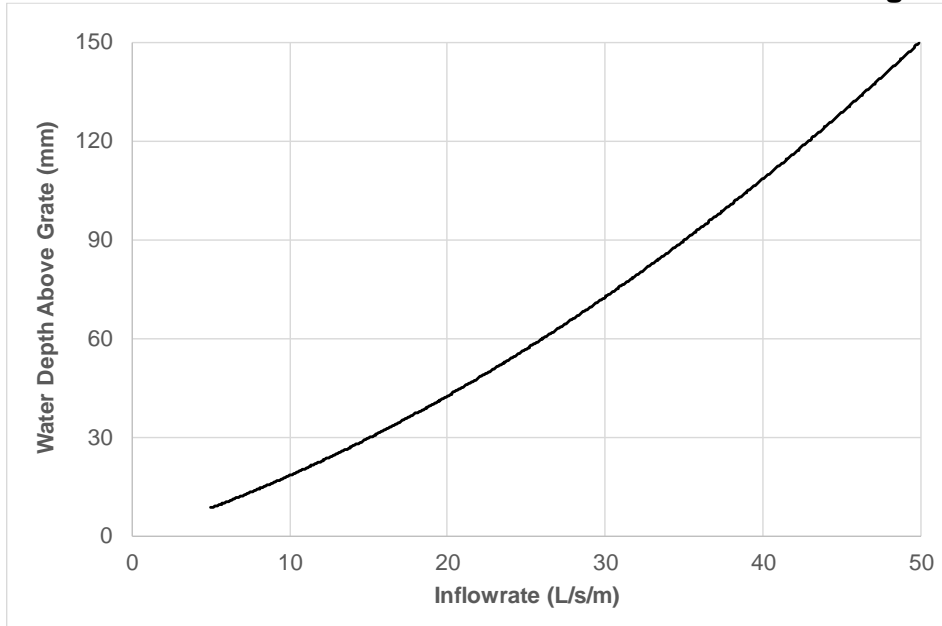


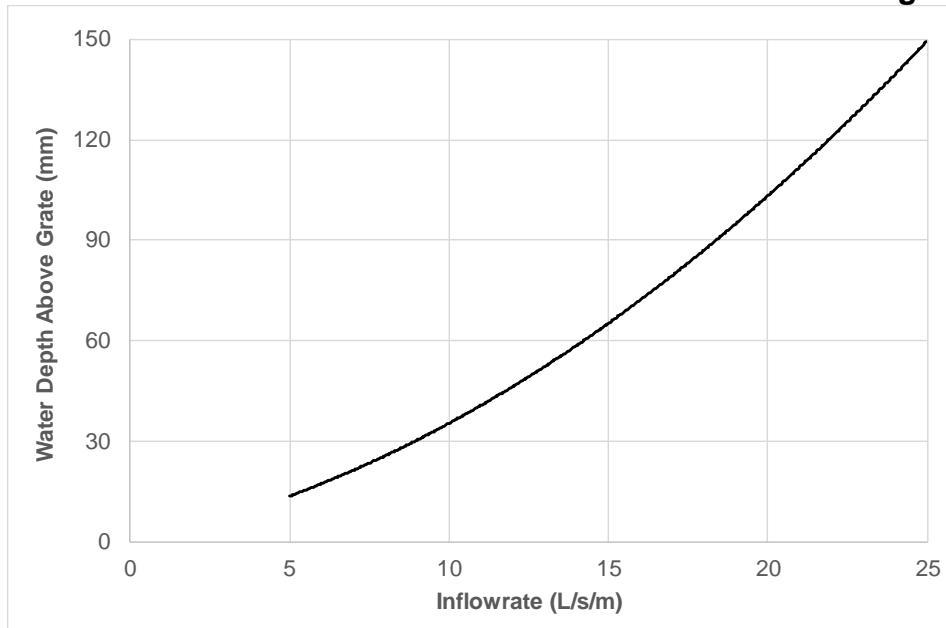
## SLIMDRAIN INFLOW CAPACITY PERFORMANCE CERTIFICATE

Test Results	
<b>Description</b>	SLIMDRAIN (RCPA)
<b>Drain Type</b>	Longitudinal Road Drainage Grate
<b>Model</b>	SlimDrain
<b>Outlet Size</b>	180mm Riser Grate Height
<b>Test Date</b>	15/7/2018
	<b>Certificate Date: 2/8/2018</b>
<b>Grate Drawing</b>	
<b>Housing Drawing</b>	

**Flow Characteristic Curve for SlimDrain with 0% Blockage**



**Flow Characteristic Curve for SlimDrain with 50% Blockage**



**Observation Comments:**

- Ponding commenced above grate at inflow rates above 15L/s.
- Longitudinal gradient and cross-fall did not affect VSlimDrain inflow rates

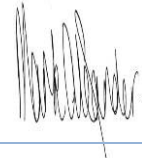
I hereby certify that the test results presented on this outlet performance certificate are true and correct and were obtained as detailed in the report: "Evaluating the Performance of the VSlimDrain Drainage System" August 2018.

Dr Terry Lucke,  
Chief Researcher:



Date: 2<sup>nd</sup> August 2018

Mark Alexander,  
AHSCA Foundation Chairman:



Date: 2<sup>nd</sup> August 2018